





**Learning a new instrument can be difficult!**

**What are some encouraging words you can tell someone who is struggling?**



**Tagu'a** (gourd)

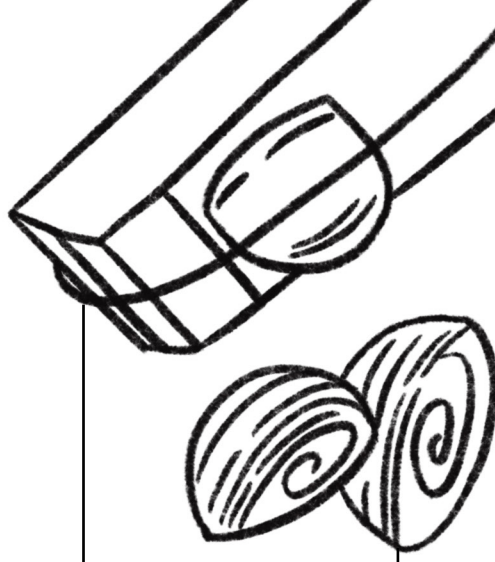
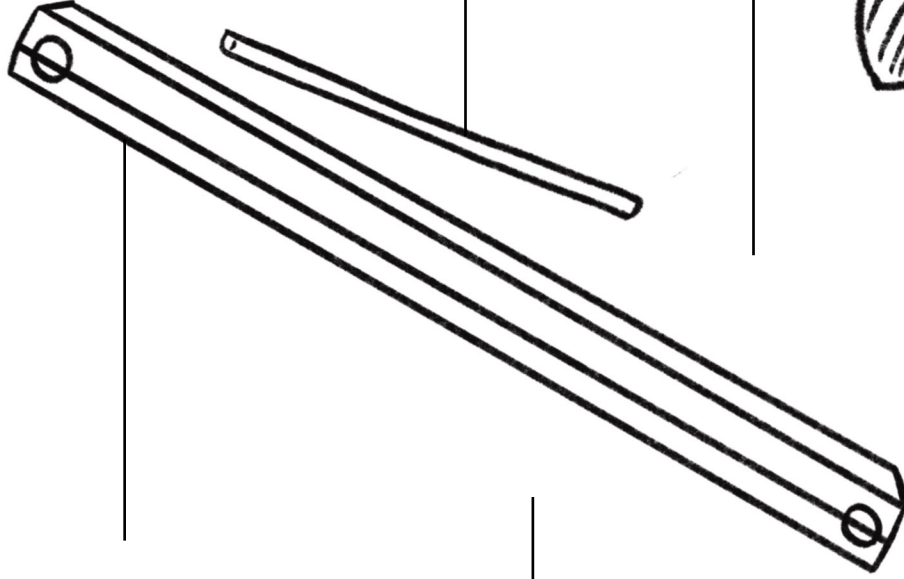
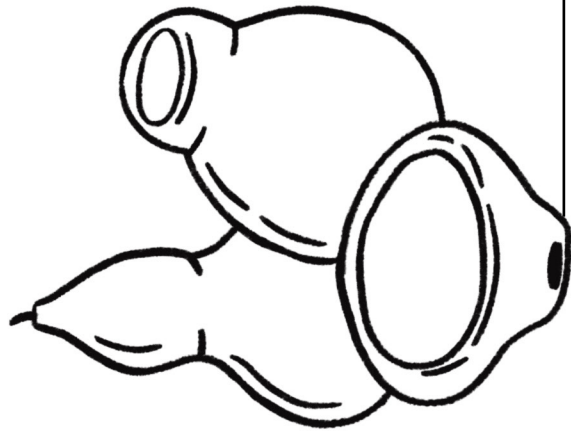
**Hâyü** (wood)

**Hitting stick**

**Cheggai** (moon shells)

**Alâmle** (wire)

**Bilembaotuyan**

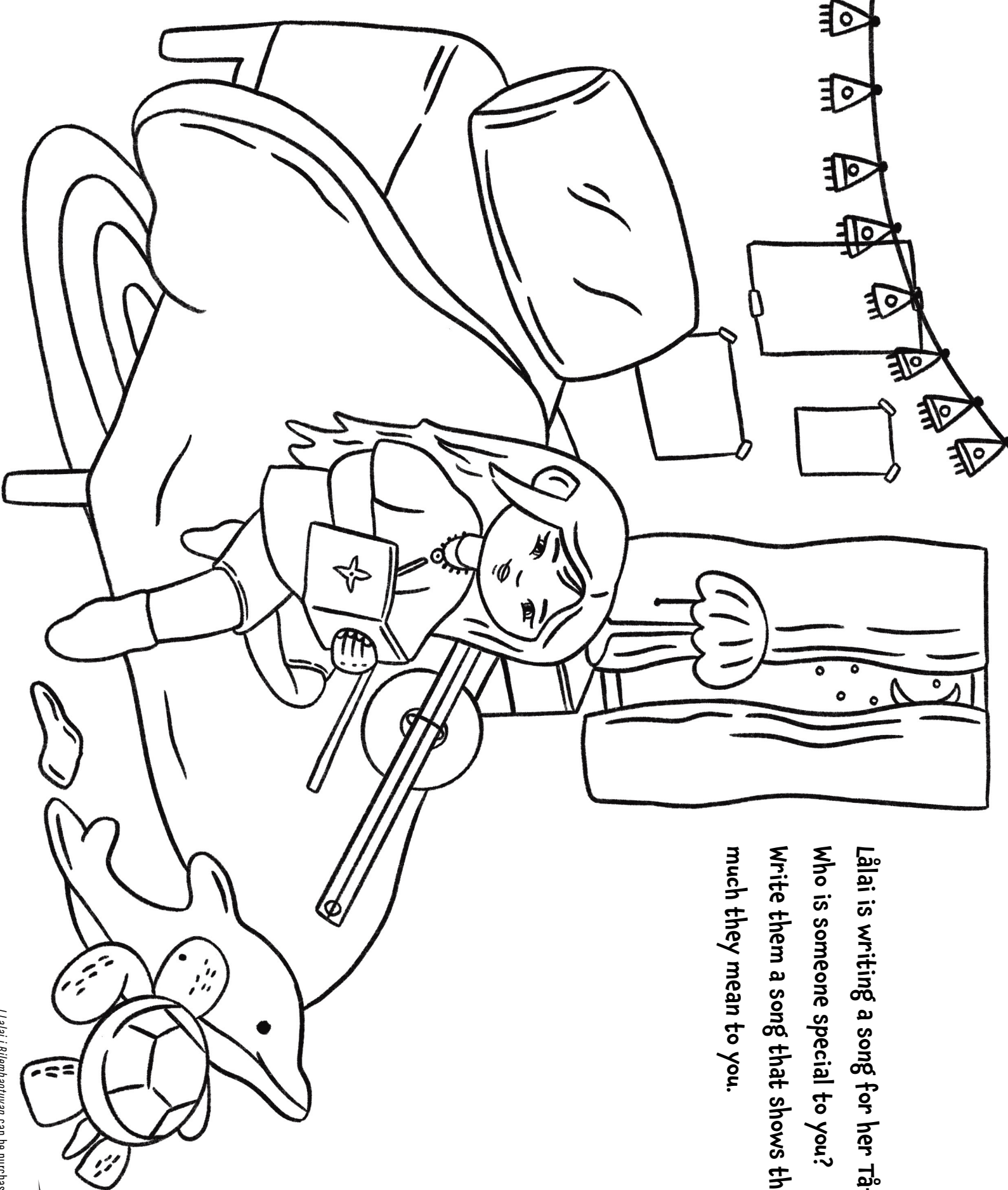




Lalai learns the value of hard work and patience from her Tātan Bihu.  
What lessons have elders in your life taught you?







Lălai is writing a song for her Tâtan Bihu.  
Who is someone special to you?  
Write them a song that shows them how  
much they mean to you.



UOG  
PRESS



